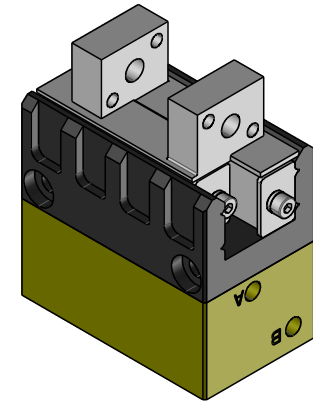
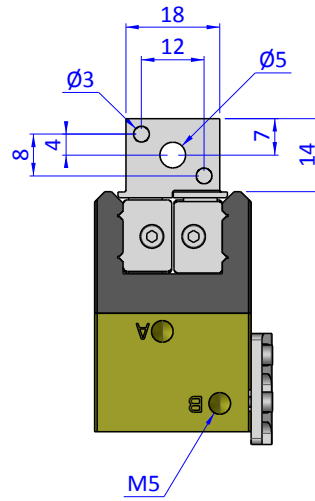
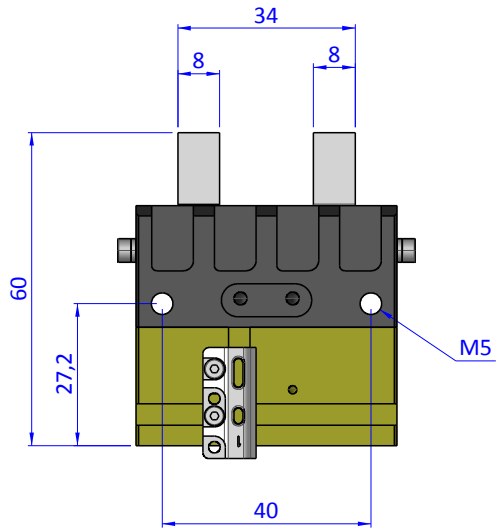
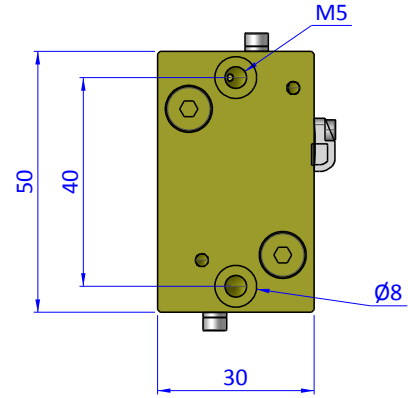



THE PROPERTY OF THE DRAWING IS ESTABLISHED BY LAW. IT IS FORBIDDEN TO PRODUCE OR SHOW IT TO THIRD PARTY, WITHOUT A WRITTEN AGREEMENT.



Format A3

UNI 936-76

 FPS FPSERVICES AUTOMATION		DESIGNED FROM FPS Automation		REVIEW A
		DATE 25/07/2019	WEIGHT	
GENERAL TOLERANCE UNI - ISO 2768 CLASSE F	DESCRIPTION CA.MPG.50		CODE CA.MPG.50	